

SHENYUN

YANKAUER SUCTION TIP





PRODUCT TRADING

DISPOSABLE SUCTION TUBE SET

Medical disposable suction tubes are mainly used in conjunction with medical vacuum pressure stabilization systems for suction of residual fluids in operating rooms or clinics. They are used to suction and remove secretions from the patient's oral cavity, trachea, nasal cavity, etc. during medical procedures. They consist of a connector and a tube, and are made of soft polyvinyl chloride plastic.

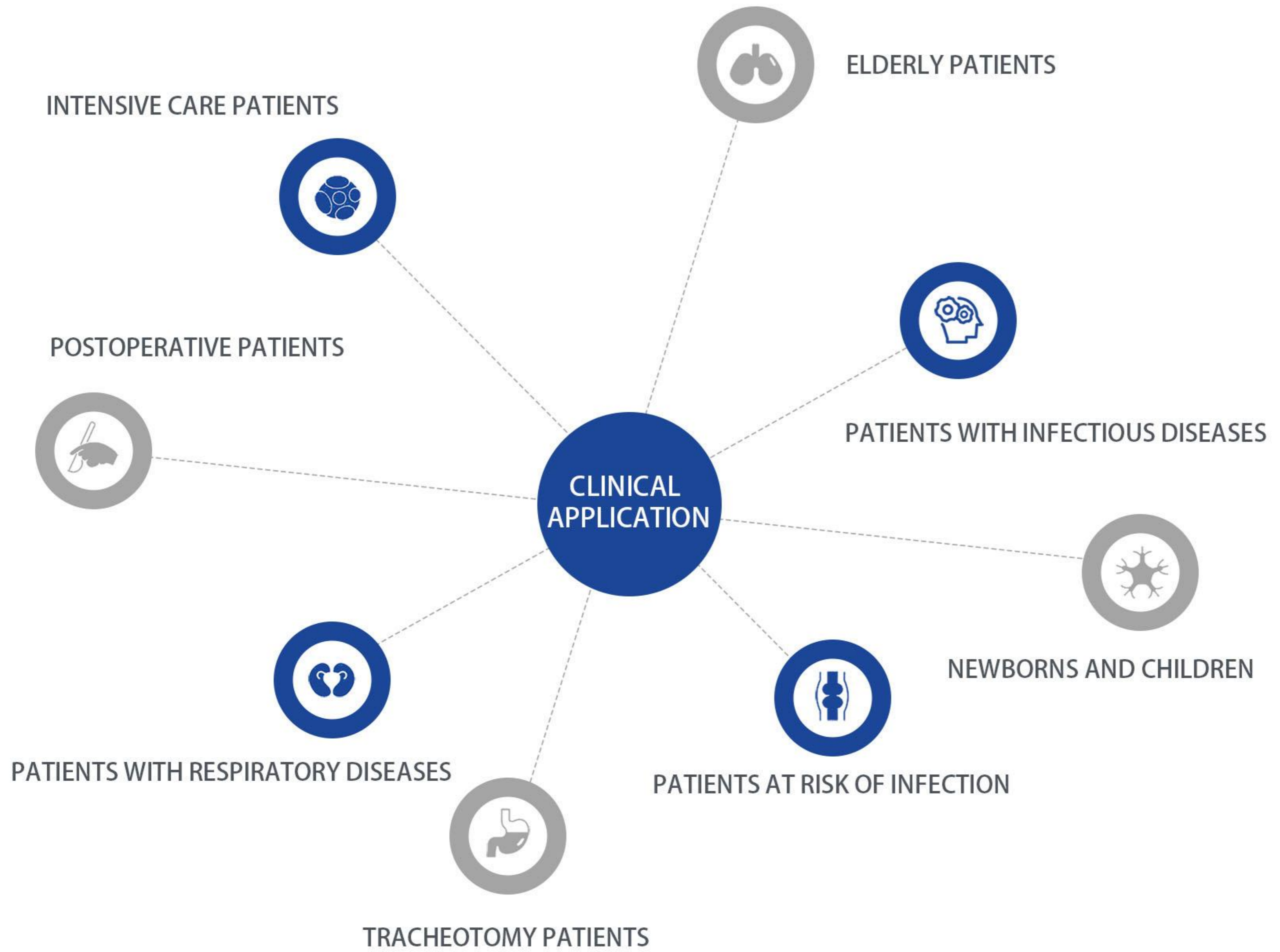
■ Features

- Medical-grade PVC material, non-toxic and non-irritating, ensures safety for patients.
- Transparent visualization: Transparent material has better visualization effect, which helps to improve the accuracy of operation.
- The tube wall stripe design provides a better grip and reduces the risk of slipping.
- Provide a variety of tube diameters and lengths according to the needs of different patients.

■ Precautions

- Try to avoid touching the sterile part of the suction tube with your hands to prevent contamination.
- Adjust the suction force properly to avoid damage to the tissue.
- Replace the drainage bag to prevent excessive fluid accumulation leading to reflux or infection.

■ **CLINICAL APPLICATION AND EFFECT**



Intensive care patients

Intensive care patients require frequent airway management and suction operations. Suction tubes can effectively prevent cross infection.

Postoperative patients

Patients undergoing chest, abdominal, or brain surgery often require suctioning to keep their airways open.

Respiratory system patients

Patients with respiratory diseases such as COPD, bronchiectasis, pneumonia, etc. often need to clear airway secretions.

Risk of infection

For cancer patients receiving chemotherapy, AIDS patients, etc., using disposable suction tubes can reduce the chance of infection.

Elderly patients

Since elderly patients have decreased immunity, the use of suction tubes is effective in preventing hospital-acquired infections.

Tracheotomy patients

Suctioning is often necessary. Disposable suction tubes offer a safe and hygienic solution.

Newborns and children

For premature infants and critically ill infants in the NICU, the use of disposable suction tubes can reduce the risk of infection and ensure safety.

infectious disease

Such as tuberculosis, influenza, etc., the use of suction tubes prevents the spread of pathogens and protects the health of medical staff and other patients.

■ SUCTION TUBES

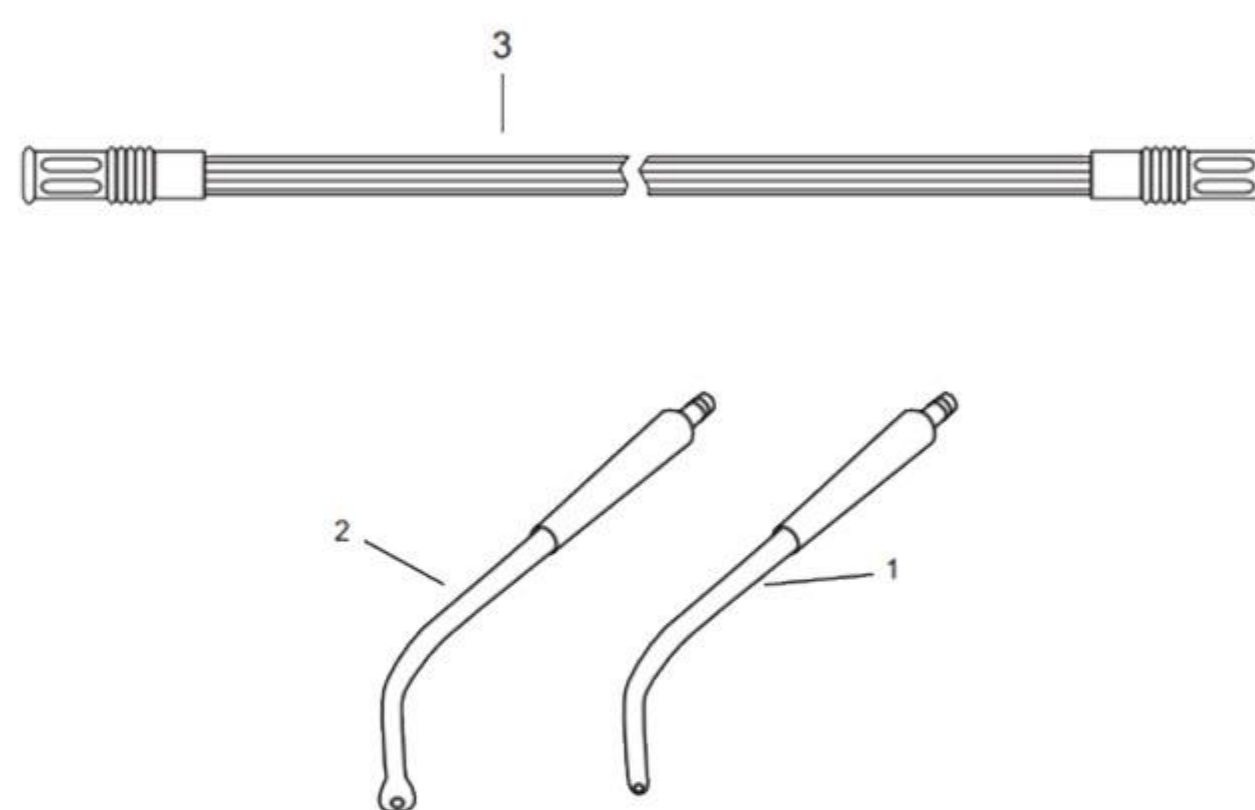


MODEL	TYPE	INNER DIAMETER/mm	LENGTH/mm
SY05-02-01	F/F	6	2000
SY05-02-02	F/F	6	3000
SY05-02-03	F/F	6	3500
SY05-02-04	F/F/M	6	2000
SY05-02-05	F/F/M	6	3000
SY05-02-06	F/F	7	2000
SY05-02-07	F/F	7	3000
SY05-02-08	F/F	7	3500
SY05-02-09	F/F/M	7	3000
SY05-02-10	F/F/M	7	3500
SY05-02-11	F/F/M/VC	7	1800
SY05-02-12	F/F/M/VC	7	2500

■ YANKEE STICK



- Material: Medical grade K resin and PVC.
- Tip type: crown tip or standard tip.
- Made of transparent material, good visibility when aspirating.
- The handle is angled for easier use.



MODEL	TIP TYPE	SIZE	LENGTH/mm
SY05-01	CORONARY WITH VENT AND HOSE	1/4	1800
SY05-02		1/4	2100
SY05-03		3/16	2100
SY05-04	CORONARY WITHOUT VENT AND HOSE	1/4	1800
SY05-05		1/4	2100
SY05-06		3/16	2100
SY05-07	STANDARD WITH VENT AND HOSE	1/4	1800
SY05-08		1/4	2100
SY05-09		3/16	2100
SY05-10	STANDARD WITHOUT VENT AND HOSE	1/4	1800
SY05-11		1/4	2100
SY05-12		3/16	2100